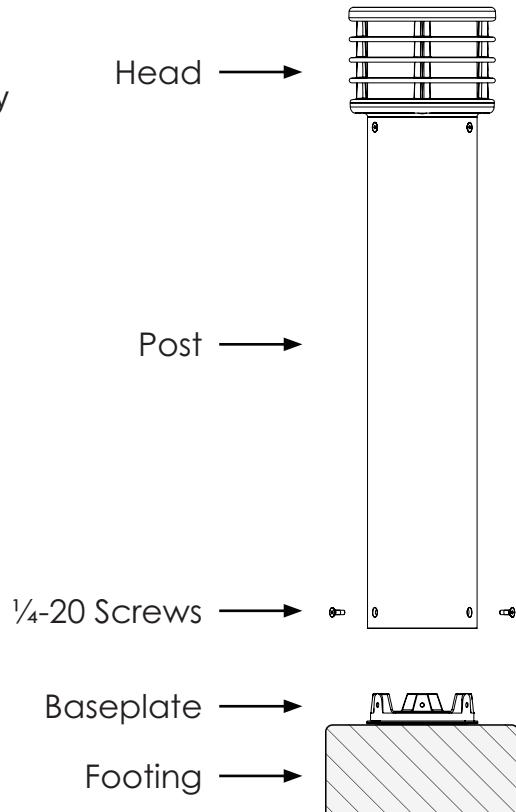


PRIOR TO INSTALL

Ensure install location receives at least 2 to 3 hours of midday sun on average. Please handle bollard with care as scratches will affect appearance and powder coat durability.

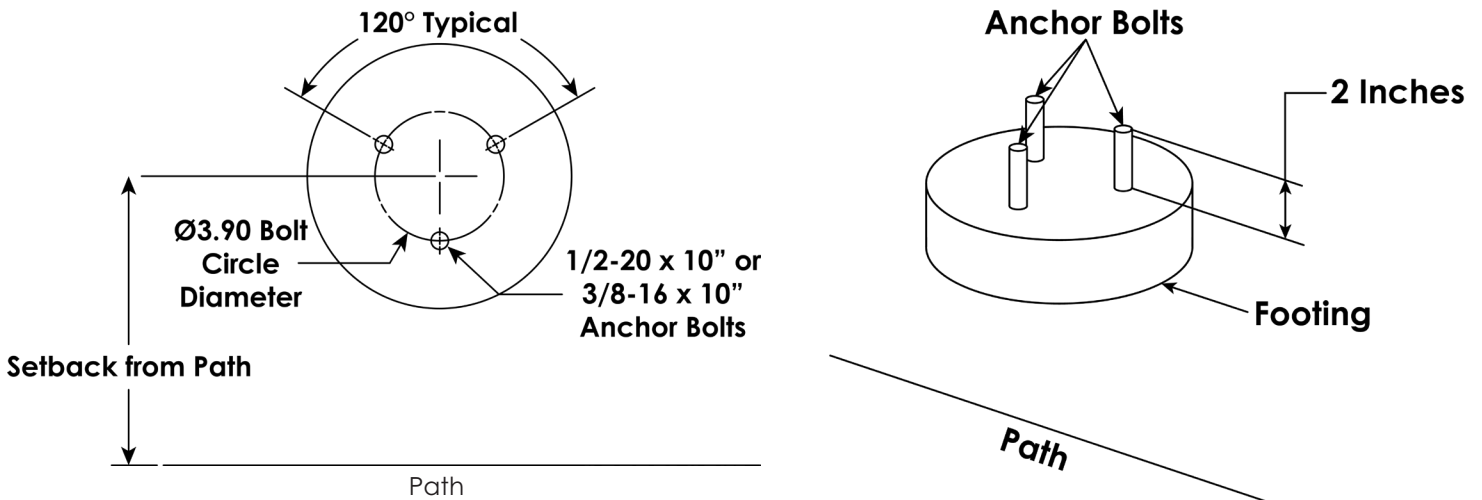
TOOLS REQUIRED

- 5/32 inch hex key
- 3/4 inch wrench or deep socket
- 9/16 inch wrench / socket



1. INSTALL ANCHOR BOLTS

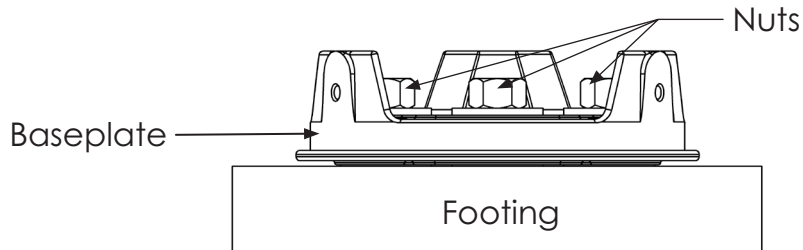
With a one to two foot setback from the path or area to be illuminated, install concrete footing with supplied anchor bolts. Align anchor bolts to path as shown below using the supplied cardboard template to hold the bolts in position.



2. INSTALL BASEPLATE

Unpack baseplate and place on footing. Use supplied nuts to secure baseplate to footing.

* Supplied leveling nuts can be placed below baseplate but are optional.



3. MOUNT BOLLARD

Remove the ¼-20 screws from baseplate.

Mount the bollard onto the baseplate and fasten with the ¼-20 screws and tighten to 65 in-lbs. (Note, when the bollard is taken out of the box, it will turn on briefly. This is normal)

To test light operation, simply shade the solar panel with the cardboard liner in the shipping box. If the light comes on when the panel is covered, the light is working correctly.

4. INSTALL COMPLETE

If you require assistance, please call 1 (844) 279-8754.