

Project: _____

Type: _____ Quantity: _____



Approved by the Florida Fish and Wildlife Conservation Committee for safe installation near turtle nesting beaches, the PLB amber series provides reliable, off-grid light for beachfront properties. The amber LED, 180 degree backlight shield and low mounting height options help to ensure baby turtles do not become disorientated while migrating to the water.

Using the latest solar and LED technology, the PLB amber bollards are fully self-contained and offer significant benefits over typical wired bollards, especially within sensitive ecosystems:

- No trenching, cabling or wiring requirements lowers install costs and site disruption
- Minimal ongoing costs with no electricity bills or bulbs to change
- Not susceptible to power outages
- Provides a visibly green statement with no ongoing carbon emissions

To provide a level of lighting performance and reliability unavailable in other solar lighting products, all First Light solar powered products are enabled by an innovative Solar Lighting Controller (SLC). The SLC in each light “learns” so that the lights predictively adapt to the variability of their surroundings.

TECHNICAL SPECIFICATIONS

- Solar Module:**
- High-impact, UV resistant encapsulation
 - High-efficiency mono crystalline cells
 - Integrated into bollard housing
 - Used for day/night detection (no photocell required)

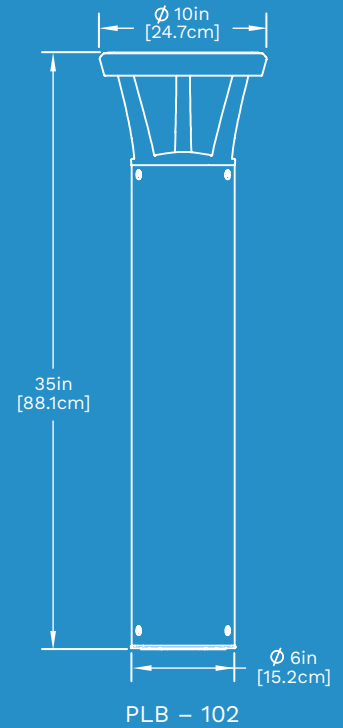
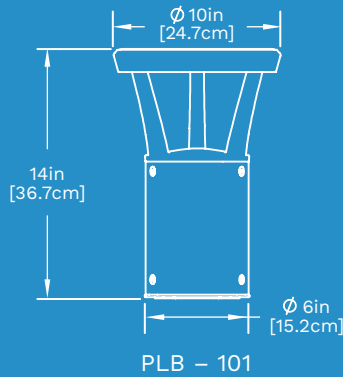
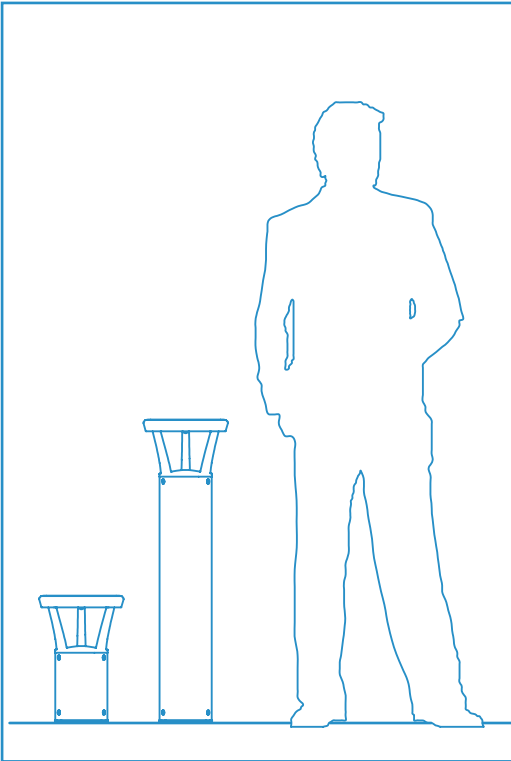
- Solar Lighting Controller (SLC):**
- High-efficiency maximum power point tracking (MPPT) charge controller
 - Micro-controller based technology
 - Includes high-efficiency LED driver
 - Integrated into bollard housing
 - Designed to automatically manage lighting performance based on environmental conditions and lighting requirements
 - Patent pending

- Battery:**
- High performance lithium (LiFePO₄)
 - Exceptional 10+ year lifecycle
 - High temperature tolerance
 - Contained within bollard post
 - Designed for easy battery changes when required

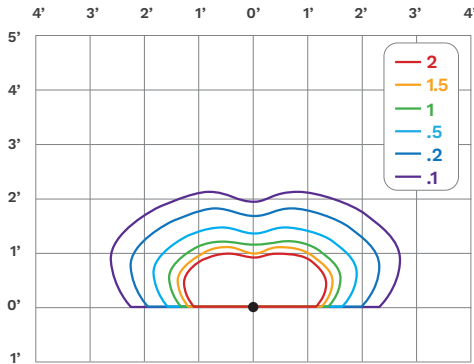
- LEDs and Optics:**
- High-output Cree LEDs
 - High-efficiency optics
 - 100,000 hour L70 lifetime
 - Amber LED (585nm to 595nm)
 - Full cut-off Type 3 optic with 180° backlight shield

- Mechanical Construction:**
- Cast, marine-grade, corrosion resistant aluminum housing
 - Extruded, low copper aluminum post
 - Stainless fasteners with security fastener option
 - High-strength mounting base
 - Architectural grade, super-durable, TGIC powder coat
 - Four standard colors with custom colors available

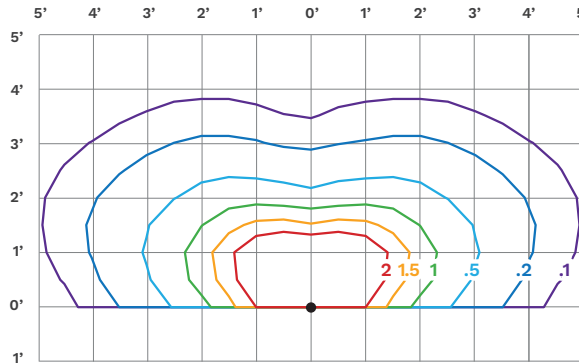
- Factory Set Lighting Profiles:**
- On at dusk, off at dawn
 - On at dusk, turn off after 6 hours
 - On at dusk, dim to 30% after 6 hours till dawn
 - On at dusk, off after 5 hours, on 1 hour before dawn
 - On at dusk, dim to 30% after 5 hours, on 1 hour before dawn



PHOTOMETRICS (IES files available on request)



PLB - 101 Type 3



PLB - 102 Type 3

Notes:

- Specifications subject to change without notice
- All light levels in foot candles (fc) with Amber LEDs and 65 lumen output
- To convert to lux multiply light level by 10.7

ORDER MATRIX



| Series | Height | Finish | Distribution | LED Color | Lighting Profile | Options |
|--------|-----------|-------------|--------------|-------------|---|----------------------------|
| PLB | 101 - 14" | BK - Black | ASM - Type 3 | AMB - Amber | 00 - Dusk till dawn | BLS - Backlight Shield |
| | 102 - 36" | BZ - Bronze | | | 01 - Dark +6 hours then off | SEC - Security Fasteners |
| | | SV - Silver | | | 02 - Dark +6 hours then 30% | PA - Pre-ship Anchor Bolts |
| | | WH - White | | | 03 - Dark +5 hours, off, dawn -1 hour | |
| | | CC - Custom | | | 04 - Dark +5 hours, 30%, dawn -1 hour (default) | |