

Project: \_\_\_\_\_

Type: \_\_\_\_\_

Quantity: \_\_\_\_\_



The PLB-AC Series high efficiency LED bollard is ideal for pathway, egress and public space lighting applications. The stylish, contemporary design makes it a perfect fit for any new construction, renovation, or retrofit project that requires exceptional, full cutoff lighting performance with maximum energy savings.

With high performance LED technology and optics, the PLB-AC Series offers significant benefits:

- High efficacy and ultra-low power consumption
- Asymmetrical and symmetrical light distributions
- Full cutoff optical performance
- Maintenance free with no bulbs or ballasts to change
- Robust, vandal resistant design
- Available in Amber Turtle option

PLB-AC is part of the PLB series LED bollard family and is a compliment to the solar powered PLB version. The PLB-AC is a great solution for areas where wired power exists or site conditions don't allow for a solar powered bollard (i.e. the shaded side of a building, or under dense tree cover).

## TECHNICAL SPECIFICATIONS

### LEDs & Optics:

- High output Cree LEDs
- Warm White (3000K), Neutral White (4000K), and Amber (595nm) LEDs available
- High efficiency Type 3 and 5 optical distributions
- All distributions full cutoff
- CRI > 70
- Greater than 100,000 hours L70 lifetime LEDs
- 740 lumens for Type 3 Optic
- 1200 lumens for Type 5 Optic
- Wildlife-friendly amber option available

### Mechanical Construction:

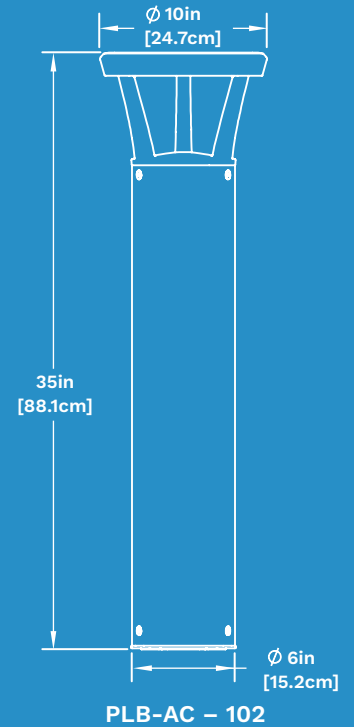
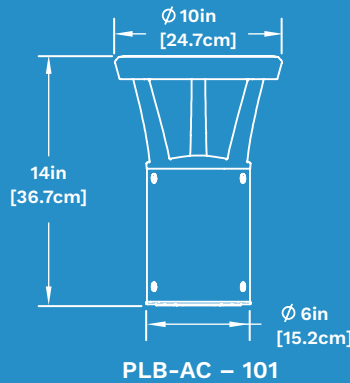
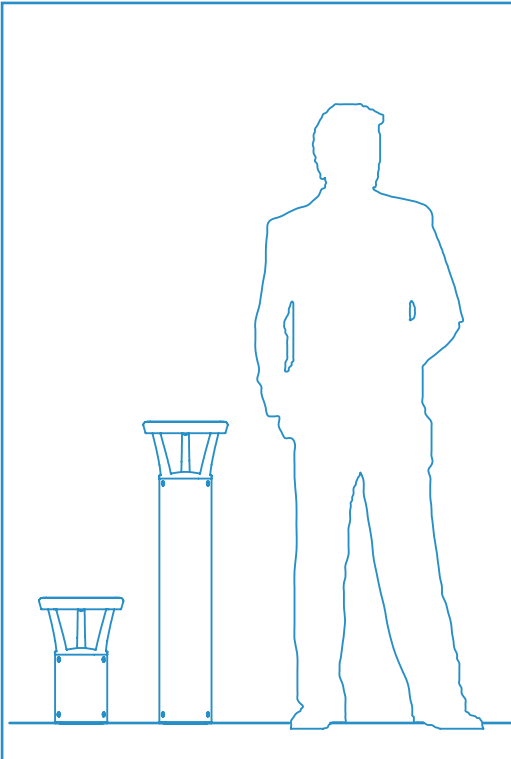
- Cast, marine-grade, corrosion resistant aluminum housing
- Extruded marine-grade aluminum post
- High-strength mounting base
- Stainless fasteners with security feature option
- Architectural grade, super durable, TGIC powder coat
- IP67 Protection
- Four standard colors with custom colors available

### Driver:

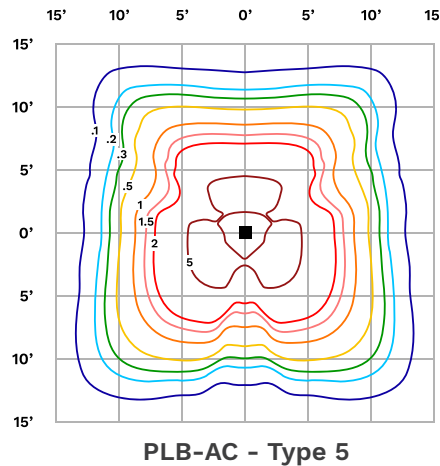
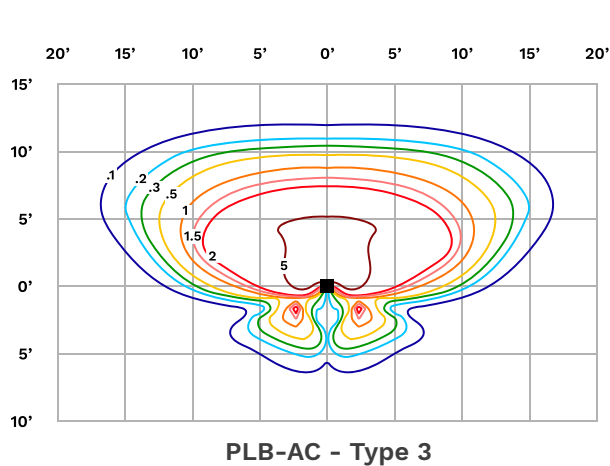
- 10W power consumption
- >0.98 power factor at full load
- 110 ~ 277 VAC, 47 ~ 63Hz input range
- OCP, SCP, OVP protection, auto recovery
- AC Phase - trailing-edge dimming compatible
- >100,000 hour MTBF

### Warranty & Certification:

- 5 year limited warranty
- CSA C22.2 No. 250.0-08 - ANSI/ UL Standard 1598
- ANSI/ UL Standard 8750
- CSA C22.2 No. 250.13-14
- LED Lighting Facts Verification Tested
- DLC listed



### PHOTOMETRICS (IES files available on website)



**Notes:**

- Photometrics based on PLB 102 mounting height
- All light levels in foot candles (fc) with 4000K color temperature
- To convert to lux multiply light level by 10.7
- Contact us for help in choosing the right lighting distribution
- Specifications subject to change without notice

### ORDER MATRIX



Series	Height	Finish	Distribution	LED	Voltage	Options
PLBAC	101 - 14"	BK - Black	ASM - Type 3	WW - 3000K	UV7 - Universal Voltage (700mA)	SEC - Security Fasteners
	102 - 36"	BZ - Bronze	SYM - Type 5	NW - 4000K		PA - Pre-Ship Anchor Bolts
		SV - Silver		AMB - Amber	BLS - Backlight Shield	
		WH - White				
		CC - Custom				