

INSTALL INSTRUCTIONS

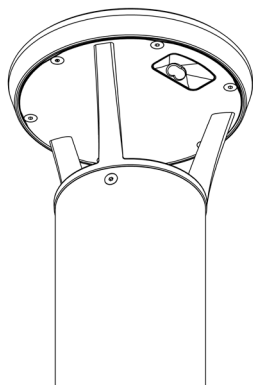
PLB Series Solar Bollard

PRIOR TO INSTALL

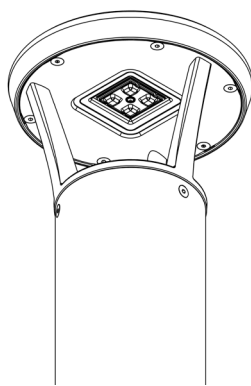
Ensure install location receives at least 2 to 3 hours of midday sun on average. Please handle bollard with care as scratches will affect appearance and powder coat durability.

PLB MODELS

Please refer to the diagram below to identify the model you are installing. This is needed for step 4.



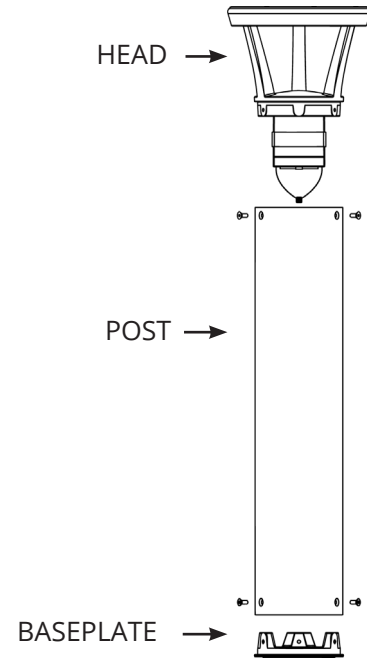
PLB ASYMMETRICAL
(PLB ASM)



PLB SYMMETRICAL
(PLB SYM)

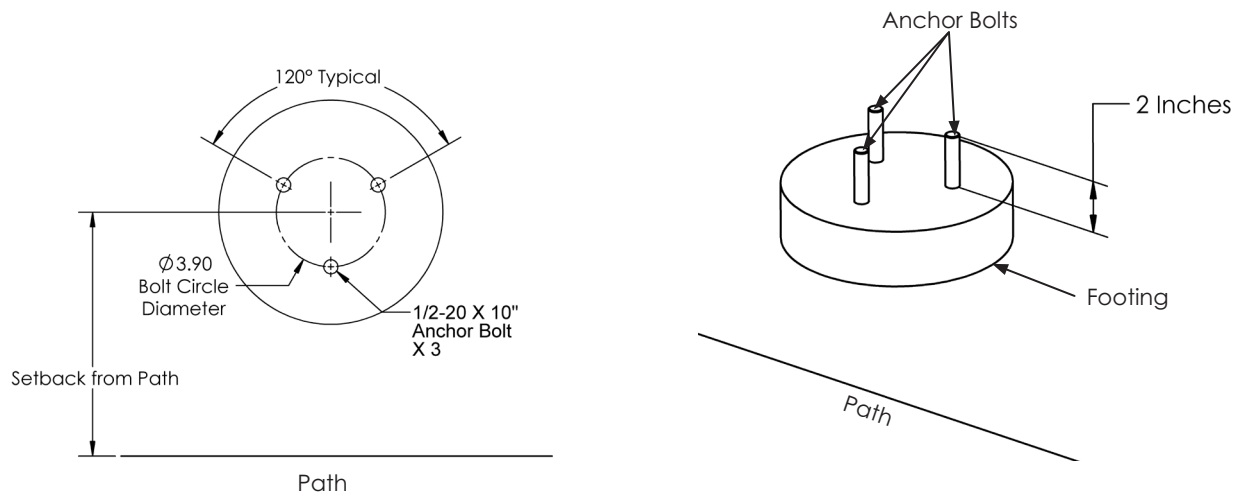
TOOLS REQUIRED

- 5/32 inch hex key
- 3/4 inch wrench or deep socket



1. INSTALL ANCHOR BOLTS

With a one to two foot setback from the path or area to be illuminated, install concrete footing with supplied anchor bolts. Align anchor bolts to path as shown below using the supplied cardboard template to hold the bolts in position.



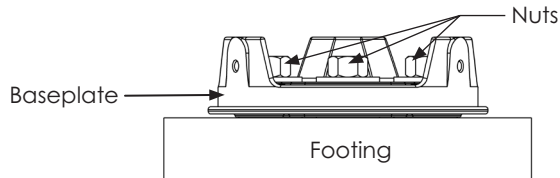
INSTALL INSTRUCTIONS

PLB Series Solar Bollard

2. INSTALL BASEPLATE

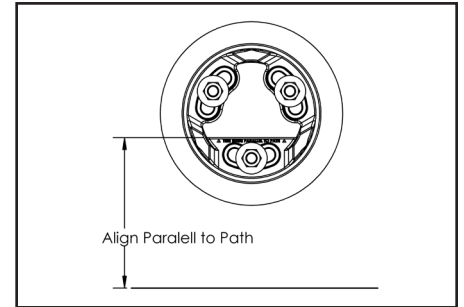
Remove the baseplate from the bottom of the bollard and place it on the footing. Use supplied nuts to secure baseplate to footing and tighten to 45 ft-lbs.

* Supplied leveling nuts can be placed below the baseplate but are optional.



PLB ASM MODEL ONLY

Ensure base plate is aligned to path as shown.

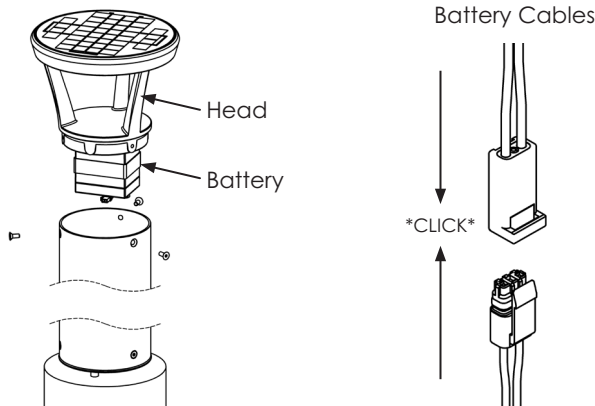


3. MOUNT BOLLARD

Mount the bollard onto the baseplate, with the supplied 1/4 - 20 screws and tighten to 65 in-lbs.

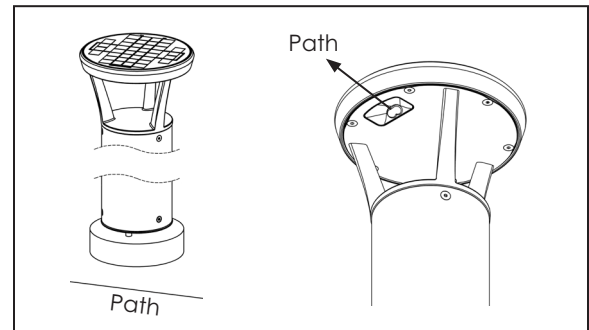
4. CONNECT BATTERY

Remove the head of the bollard from the post and connect the battery cables. Observe the light to ensure it illuminates for approximately 20 seconds after connecting the battery. If the light does not illuminate after connecting the battery, please call us at 1 (844) 279-8754.



PLB Asymmetrical Model Only

Ensure the PLB ASM Optic is facing the pathway.



5. PUT BACK HEAD

Place the head back on the post and fasten with the supplied 1/4 - 20 screws and tighten to 65 in-lbs.

6. INSTALL COMPLETE