

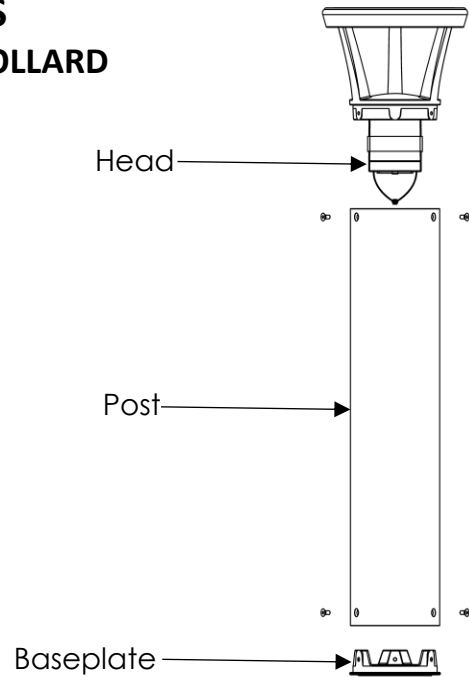
INSTALL INSTRUCTIONS PLB SERIES - SOLAR LED BOLLARD

PRIOR TO INSTALL

Ensure install location receives at least 2 to 3 hours of midday sun on average. Please handle bollard with care as scratches will affect appearance and powder coat durability.

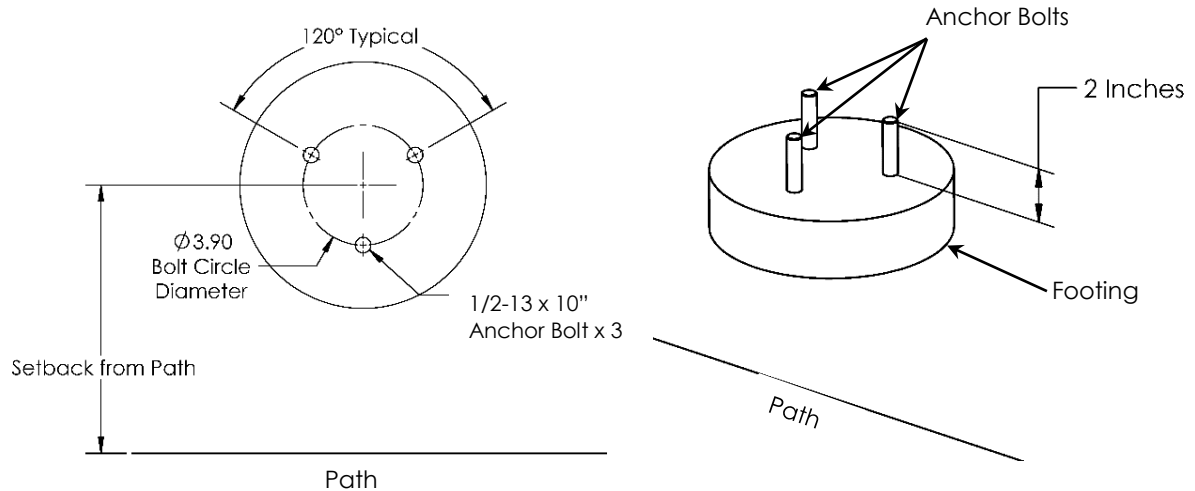
TOOLS REQUIRED

- 5/32 inch hex key
- 3/4 inch wrench or deep socket



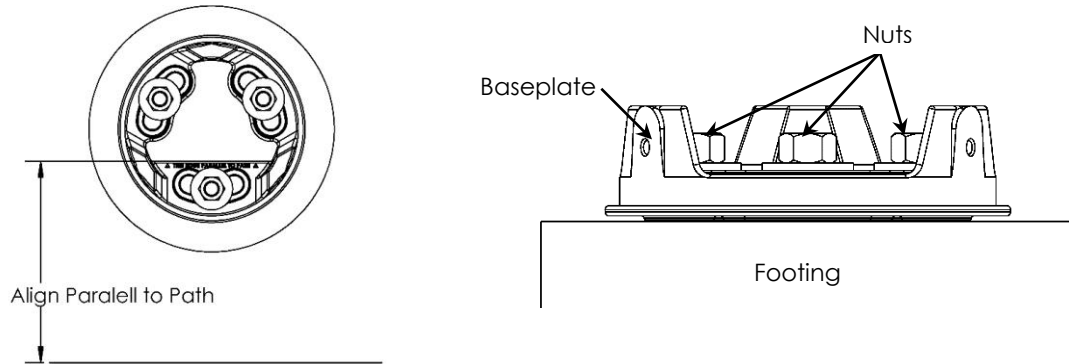
TO INSTALL

- 1. INSTALL ANCHOR BOLTS.** With a one to two foot setback from the path or area to be illuminated, install concrete footing with supplied anchor bolts. Align anchor bolts to path as shown below using the supplied cardboard template to hold the bolts in position.



INSTALL INSTRUCTIONS PLB SERIES - SOLAR LED BOLLARD

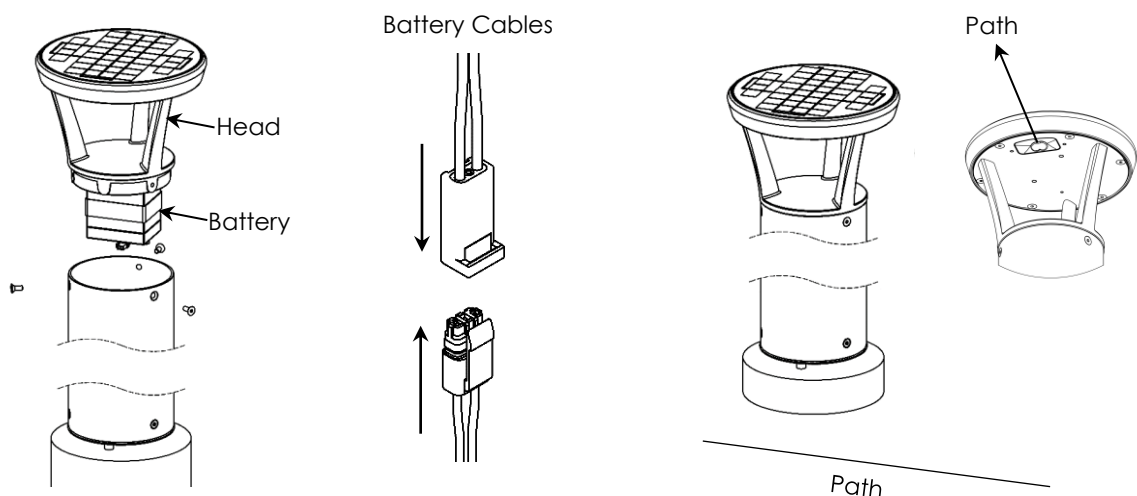
- 2. INSTALL BASEPLATE.** Remove the baseplate from the bottom of the bollard and place it on the footing. Ensure the base plate is aligned to the path as shown and tighten to 45 ft-lbs.
*Supplied levelling nuts can be placed below the baseplate but are optional.



- 3. MOUNT BOLLARD.** Mount the bollard onto the baseplate, with the supplied 1/4 - 20 screws and tighten to 65 in-lbs.

- 4. CONNECT BATTERY.** Remove the head of the bollard from the post and connect the battery cables. Observe the light to ensure it illuminates for approximately 20 seconds after connecting the battery. If the light does not illuminate after connecting the battery, please call us at 1 (844) 279-8754.

Note: There is a small cable that is not connected to anything which is for factory use and can be ignored.



- 5. PUT BACK HEAD.** Place the head back on the post and fasten with the supplied 1/4 - 20 screws and tighten to 65 in-lbs.

- 6. INSTALL COMPLETE.**