

INSTALL INSTRUCTIONS SCL SERIES - SOLAR LED AREA LIGHT

PRIOR TO INSTALL

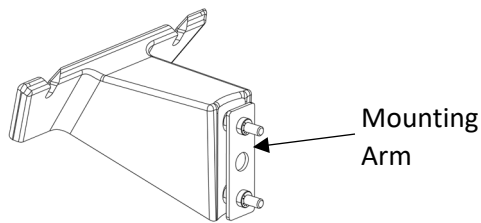
Ensure install location has a minimum of 2 to 3 hours of direct midday sun exposure for best performance. Install footing and pole as per specifications. Please handle fixture with care as scratches will affect appearance and powder coat durability.

TOOLS REQUIRED

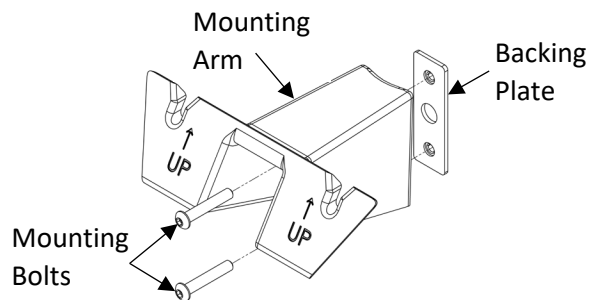
- 1/8 inch hex key
- 5/32 inch hex key with torque wrench

TO INSTALL

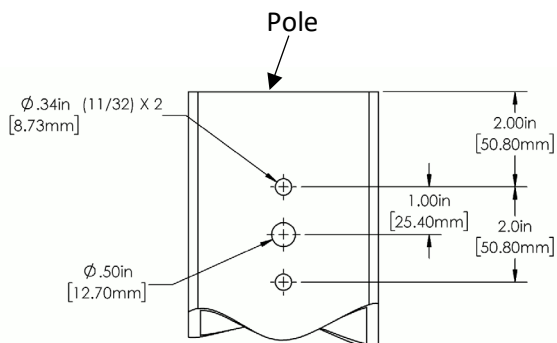
- 1. UNPACK MOUNTING ARM.** Remove mounting arm from box and remove packing material.



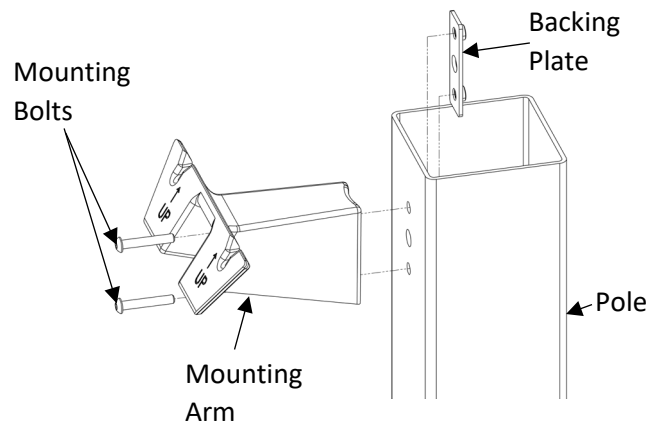
- 2. REMOVE MOUNTING BOLTS FROM MOUNTING ARM.** Remove mounting bolts using 5/32" hex key.



- 3. DRILL HOLES IN POLE.** If pole is not pre-drilled, drill holes in pole as shown. Note: The .50 inch hole is for a ground wire and is optional.



- 4. ATTACH MOUNT TO POLE.** Insert backing plate into pole and thread bolts fully into backing plate through the mounting arm. Ensure flat side is placed against the inner surface of the pole. Torque bolts to 70 in-lbs.

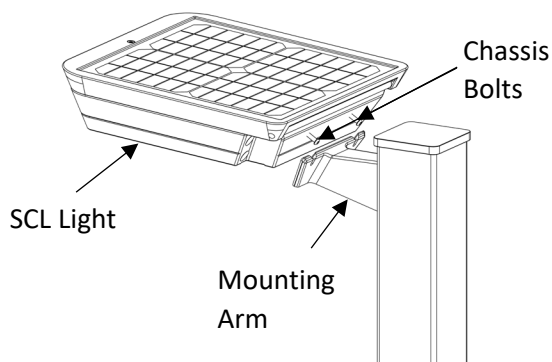


INSTALL INSTRUCTIONS

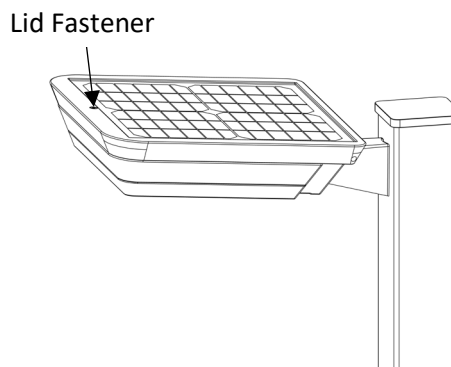
SCL SERIES - SOLAR LED AREA LIGHT

5. INSTALL LIGHT ON MOUNTING ARM.

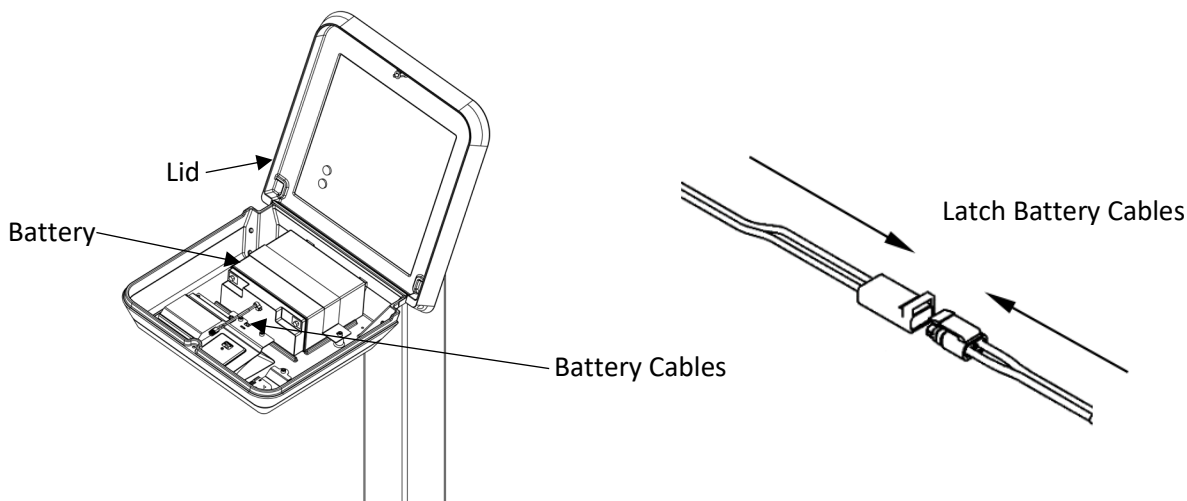
Remove light from box and install on the mounting arm. Tighten chassis bolts with 5/32" hex to 70 in-lb.



6. OPEN LID. Loosen lid fastener with 1/8" hex key and open lid.



7. REMOVE PACKAGING AND CONNECT BATTERY CABLES. Remove packaging material from interior of light and connect the battery cables, **ensuring to latch the connectors.**



8. CONFIRM LIGHT TURNS ON FOR APPROXIMATELY 20 SECONDS. After being properly connected, there will be a brief pause and then the light will turn on for 20-30 seconds. The light will then begin normal operation. If this does not happen, please call us at 1-844-279-8754 for assistance.

9. CLOSE LID. Close lid and tighten fastener.

10. INSTALL COMPLETE.