

SOLAR LED INTEGRATED ARCHITECTURAL AREA LIGHT

Project: _____

Type: _____ Quantity: _____



The IPL series solar LED luminaire is an ideal choice for architectural, commercial, recreational pathway and public space lighting applications. The self-contained, contemporary, rectilinear design smartly embraces modern solar power, adaptive control and LED technologies. With robust construction and unequalled performance, the IPL series is an excellent fit wherever high-quality, full-cutoff lighting and minimal visual clutter is required.

Using solar power and LEDs, the IPL is completely self-contained and offers significant benefits over grid-based lights including:

- Cost-effective design that ships fully assembled and installs in minutes
- Wireless control & communication with your light
- Low installation cost and minimal site impact with no trenching, cabling or wiring
- Minimal ongoing costs with no electrical bills or bulbs to change
- Operates entirely independent from the grid and is immune to power outages
- A sustainable choice without recurring carbon emissions

All of our solar powered lights are enabled by our innovative Solar Lighting Controller (SLC). The SLC in each light is “self-learning” and allows the lights to predictively adapt to their surroundings, providing a level of lighting performance and reliability unavailable in other solar lighting products.

TECHNICAL SPECIFICATIONS

- Solar Module:**
- High-efficiency monocrystalline cells
 - Inconspicuously integrated into the top of luminaire
 - Used for day/night detection (no photocell required)

- Solar Lighting Controller (SLC):**
- High-efficiency Maximum Power Point Tracking (MPPT)
 - Micro-controller based technology
 - Includes high-efficiency LED driver
 - Multiyear data logging
 - Integrated into luminaire housing
 - Designed to automatically and adaptively manage lighting performance based on environmental conditions and lighting requirements
 - Patent Pending
 - Potted weatherproof construction

- Battery:**
- High-performance lithium (LiFePO₄)
 - Exceptional 8 – 10 year lifecycle
 - High-temperature tolerance
 - Contained within luminaire housing
 - Designed for easy battery changes when required

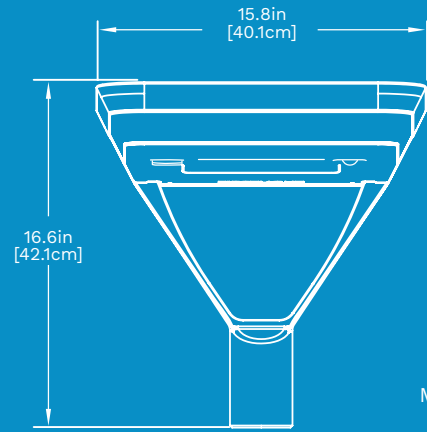
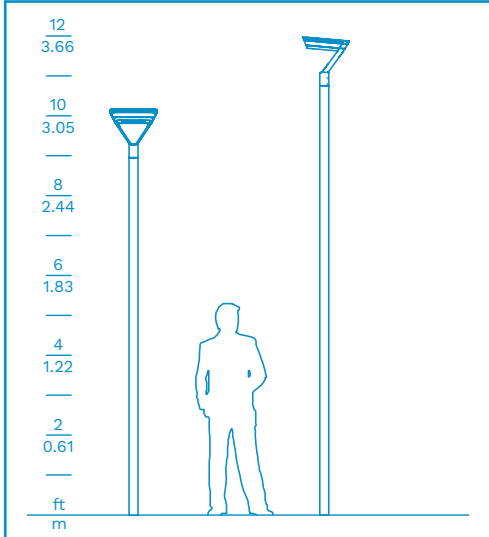
- LEDs and Optics:**
- 100,000 hour L70 lifetime
 - Warm (3000K) and neutral (4500K) white color temperatures available
 - High-efficiency Type 2, 3, 4 and 5, full cut-off optics
 - Typical lumen output from 860 to 1075 lumens

- Mechanical Construction:**
- Cast, low copper aluminum design
 - Stainless fasteners with security fastener option
 - Architectural grade, super-durable, TGIC powder coat
 - Four standard colors with custom colors available

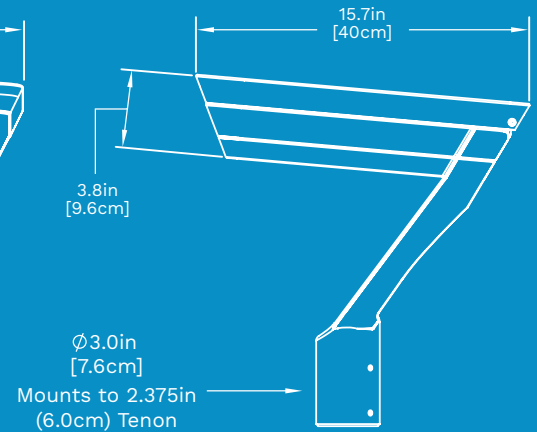
- Lighting Profiles:**
- 11 standard profiles options
 - Real-time based lighting profiles available
 - See lighting profile sheet for all options
 - Motion sensing capabilities optimize performance based usage
 - Lighting profiles and motion sensing options are field configurable with app

- Wireless Controls:**
- Low energy interface with iOS app
 - Provide configuration and control of lighting profiles
 - Adjustment over dusk and dawn thresholds

EPA: 0.65ft² (0.06m²) | Weight: 24.7 lbs (11.2 kg) including battery



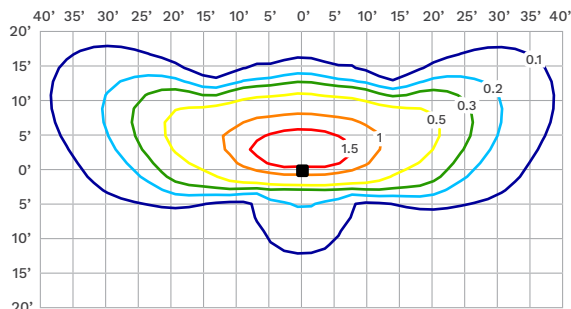
Front View



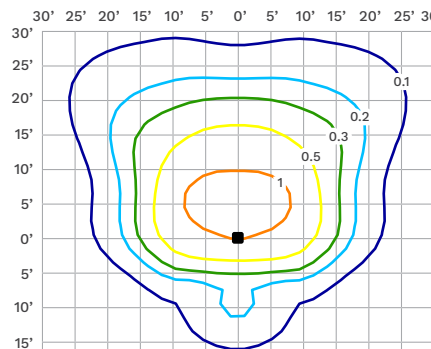
Side View

PHOTOMETRICS (IES files available on website)

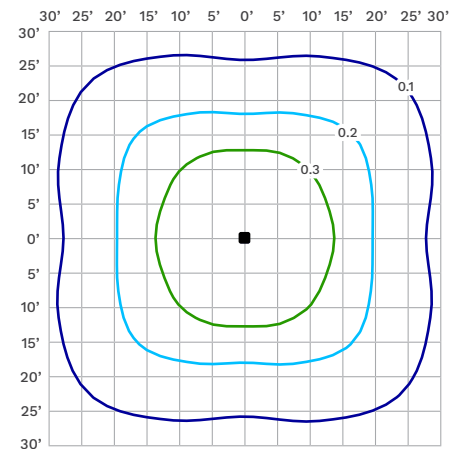
If you have any questions, call us toll free at 1-844-279-8754 (USA & Canada).



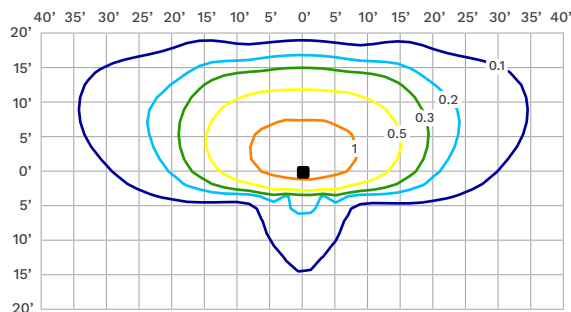
Type 2



Type 4



Type 5



Type 3

ORDER MATRIX

Series	Mounting	Finish	Distribution	LED Color	Lighting Profile (Full list on website)	Options
IPL	PTM - Post Top Mount	BK - Black	T2 - Type 2	WW - 3000K	00 - Dusk till dawn	SEC - Security Fasteners
		BZ - Bronze	T3 - Type 3	NW - 4500K	09 - On at dusk, 100% for 3 hours, dim to 30%, brighten to 100% one hour before dawn, off at dawn (DEFAULT)	MSO - Motion Sensor Off
		SV - Silver	T4 - Type 4		TX0000 - On at dusk until time between 1800 & 0600. X = O (Off) or D (Dim). 0000 = time to dim or turn off.	
		WH - White	T5 - Type 5			
		CC - Custom				

Notes: - Photometrics based on 12 ft mounting height
 - All light levels in foot candles (fc) with 4500K color temperature and 968 lumen output
 - To convert to lux multiply light level by 10.7
 - Motion sensing is ON by default
 - Specifications subject to change without notice

