

INSTALL INSTRUCTIONS IPL SERIES - SOLAR LED AREA LIGHT

PRIOR TO INSTALL

Ensure install location has a minimum of 2 to 3 hours of direct midday sun exposure for best performance. Install footing and pole as per specifications. Please handle fixture with care as scratches will affect appearance and powder coat durability.

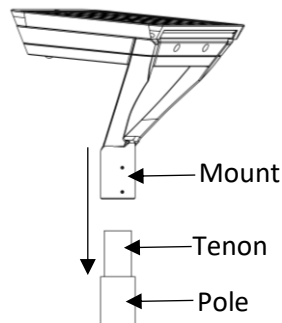
TOOLS REQUIRED

- 1/8 inch hex key
- Torque wrench (optional)

TO INSTALL

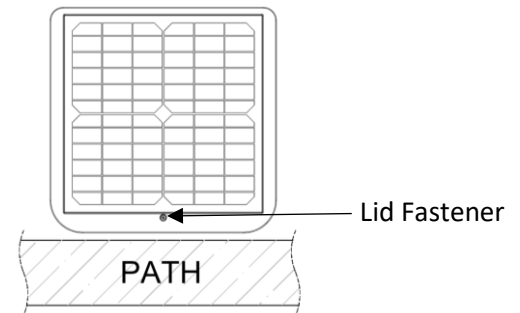
1. UNPACK AND MOUNT ON POLE.

Remove light from box and place on top of the pole, sliding the mount over the tenon.



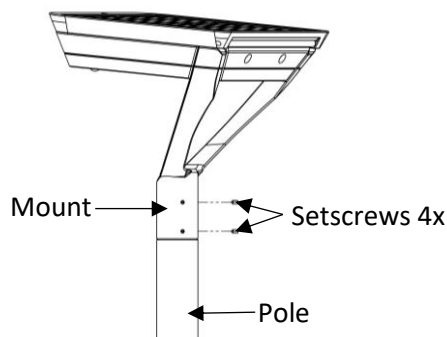
2. ORIENT TO PATH.

Orient the light with respect to the path as shown.



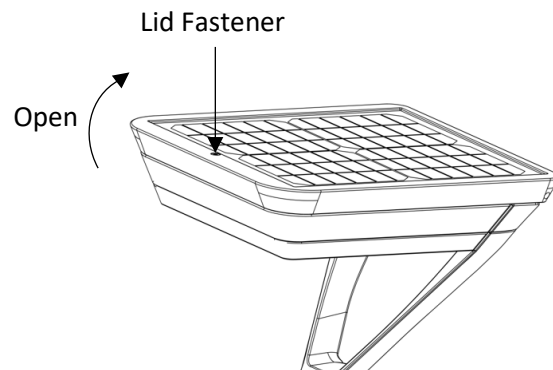
3. TIGHTEN SCREWS.

Tighten 4 setscrews with 1/8" hex to snug (65 in-lb if using a torque wrench).



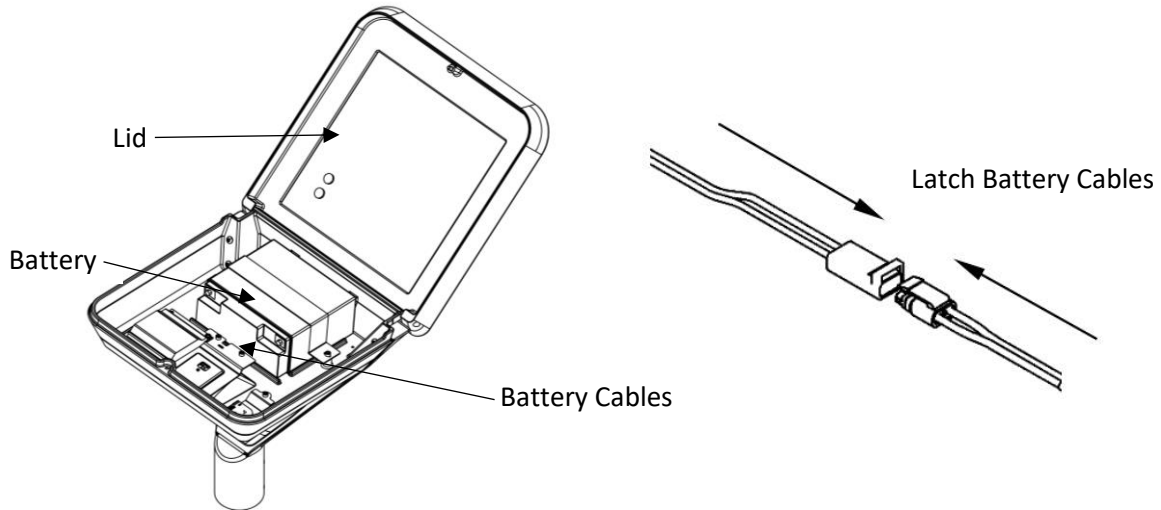
4. OPEN LID.

Loosen lid fastener with 1/8" hex and open lid.



INSTALL INSTRUCTIONS IPL SERIES - SOLAR LED AREA LIGHT

- 5. REMOVE PACKAGING AND CONNECT BATTERY.** Remove packaging material from interior of light and connect the battery cables, **ensuring to latch the connectors.**



- 6. CONFIRM LIGHT TURNS ON FOR 20-30 SECONDS.** After being properly connected, there will be a brief pause and then the light will turn on for 20-30 seconds. The light will then return to its normal operating profile. If this does not happen, please call us at 1-844-279-8754 for assistance.
- 7. CLOSE LID.** Close lid and re-tighten fastener.
- 8. INSTALL COMPLETE.**