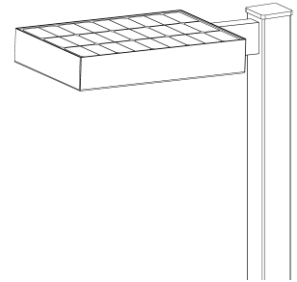


INSTALL INSTRUCTIONS

SCL2 SERIES - SOLAR LED COMMERCIAL LIGHT

PRIOR TO INSTALLATION

Install footing and pole as per specifications. Ensure install location has a minimum of 2 to 3 hours of direct midday sun exposure for best performance. Please handle fixture with care as scratches will affect appearance and powder coat durability.

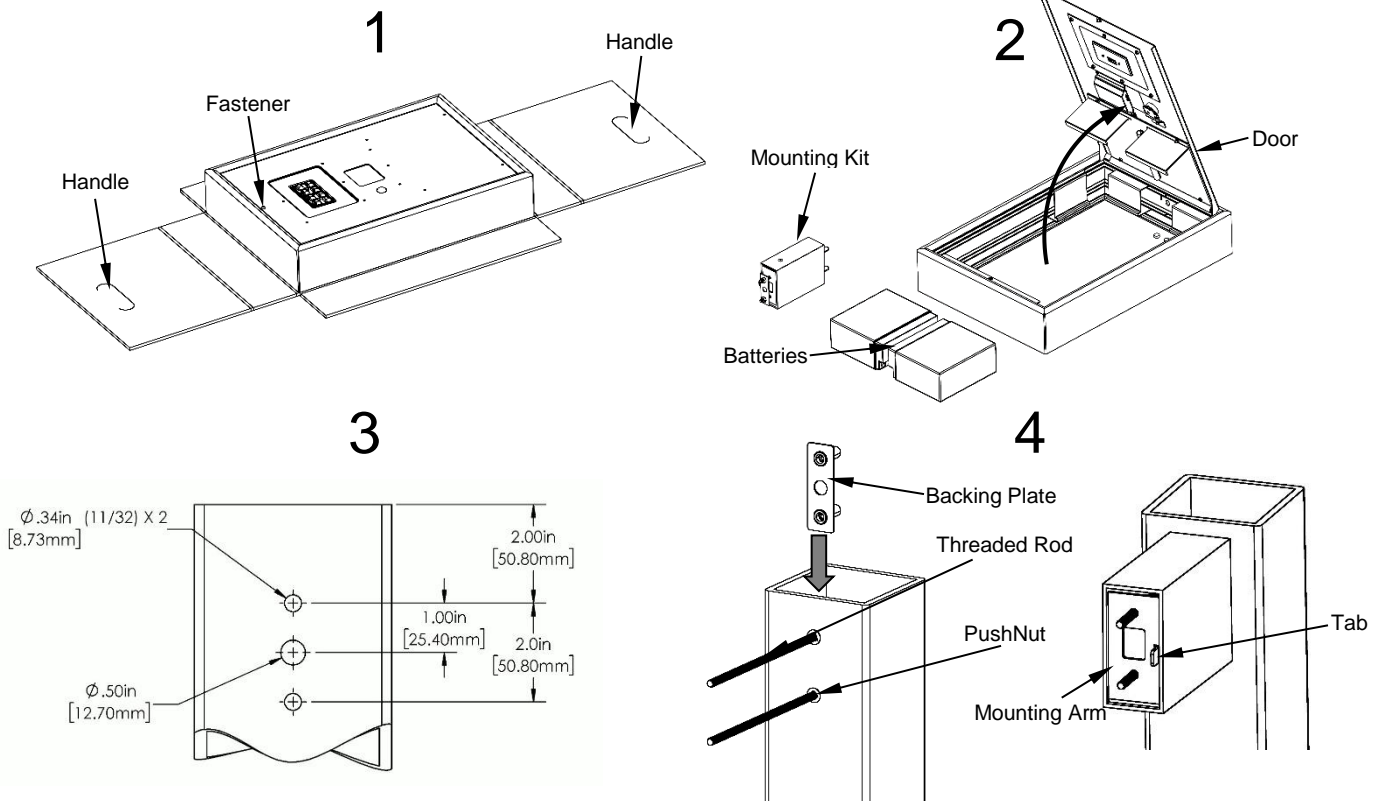


TOOLS REQUIRED

- 1/8 inch hex key
- 7/16 inch socket with torque wrench
- Side cutters
- Torque wrench

TO INSTALL

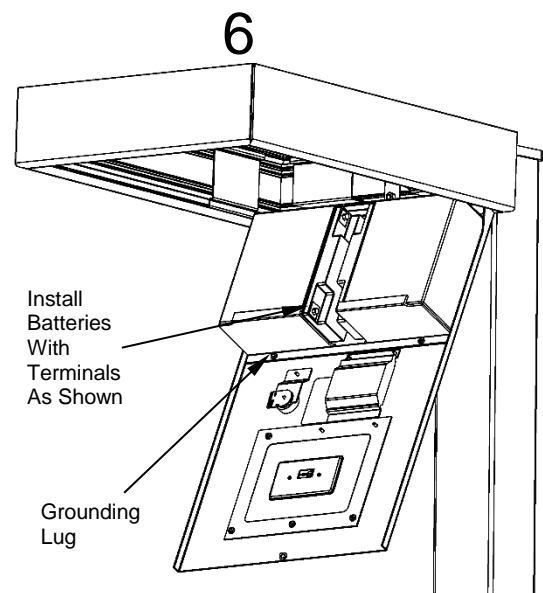
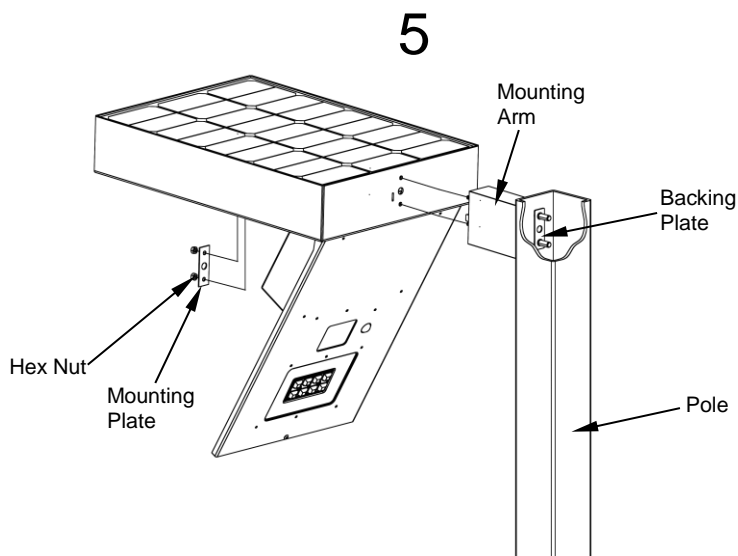
1. Remove light from box using the cardboard handles and place onto cardboard liner with solar module facing down. Use 1/8" hex key to loosen fastener.
2. Open door. Remove packaging material, mounting kit and batteries from the interior of the light. The batteries are attached to the battery shelf with velcro and may need to be pulled lightly. The mounting kit is zip-tied to the battery shelf.
3. If pole is not pre-drilled, drill holes in pole as shown in diagram 3. (Note: drawing is not to scale).
4. Insert the backing plate into the pole and thread the threaded rods fully into backing plate. Place mounting arm on the pole sliding the threaded rods through holes. Ensure the tab is on the right side as shown.



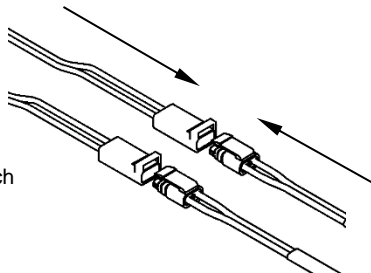
INSTALL INSTRUCTIONS

SCL2 SERIES - SOLAR LED COMMERCIAL LIGHT

5. Place light onto mounting arm, install mounting plate and nuts with wrench, torque to 70in-lbs (8N-m).
6. Install batteries onto the door as shown in diagram 6. Press to connect the velcro. The text on the batteries should be facing you. If grounding, use provided stud by removing nut on the grounding lug and installing ground wire.
7. Connect the battery harnesses as shown in diagram 7, **ensuring to latch the connectors**. After a brief pause, the light will turn on for 20-30 seconds when connected correctly. If this does not happen, there are troubleshooting suggestions below.
8. Close door and tighten fastener with hex key.
9. Install complete.



- 7
- Connect Both Batteries, Ensuring The Connectors Latch Correctly.



TROUBLESHOOTING

If light does not turn on when batteries are connected:

- Check the battery harness polarity – red wire must be connected to positive (+) terminal and black wire to negative (-).
- During storage, batteries do slowly discharge but will remain sufficiently charged for at least a year. Our lights' adaptive capability will recharge discharged batteries in most circumstances by simply installing the light in a sunny location. If the light does not illuminate at all when the batteries are connected, they are likely very low and may need charging. In this case, please email info@firstlighttechnologies.com or call 1-844-279-8754 for assistance.