

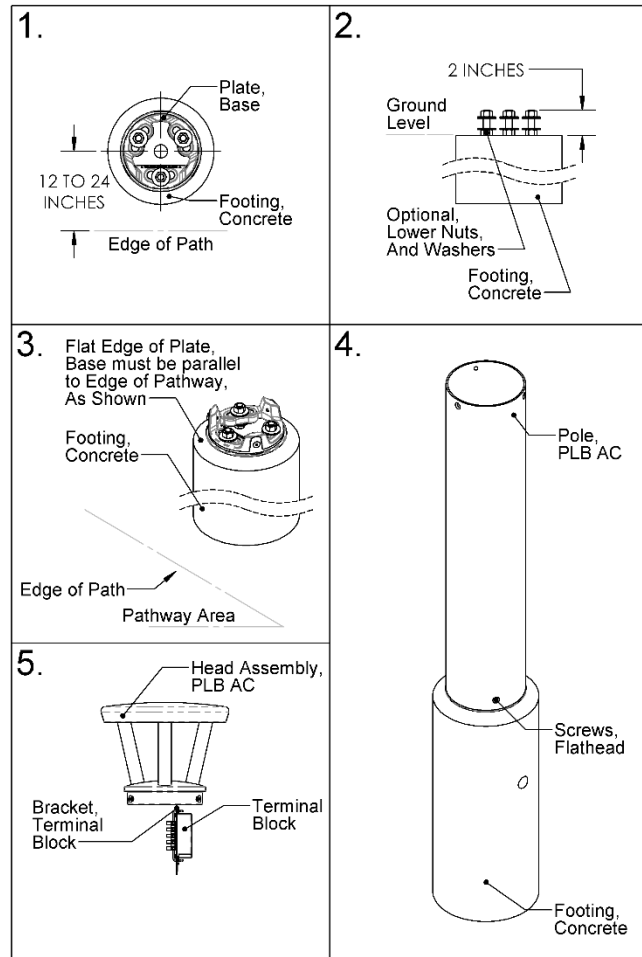
WARNINGS: PLEASE READ THE FOLLOWING INSTRUCTIONS PRIOR TO INSTALLATION.

- This product must be installed in accordance with the applicable installation code by a person familiar with the construction and operation of the product and the hazards involved.
- Suitable for wet locations.
- Suitable for mounting within 4ft of the ground.
- To avoid the possibility of electrical shock, turn off power supply before installation or servicing. Qualified personnel should perform installation and servicing.
- When handling, avoid touching the LED's and take care to keep LED lenses clean during installation.
- STRAIN RELIEF IS REQUIRED for supply wiring on the terminal strip in the appropriate section indicated.
- The supply wiring (not included) will be connected directly to the terminal strip. See the appropriate section for the desired method.

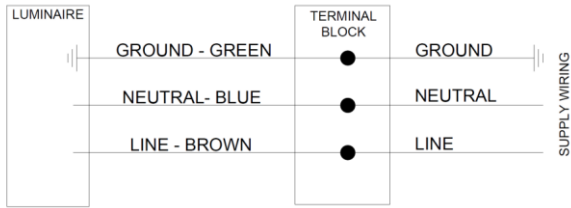
TOOLS REQUIRED: 5/32 Inch Hex (Allen) Key -- 7/16 Inch Wrench -- 3/4 Inch Wrench / Socket

INSTALLATION PROCEDURES:

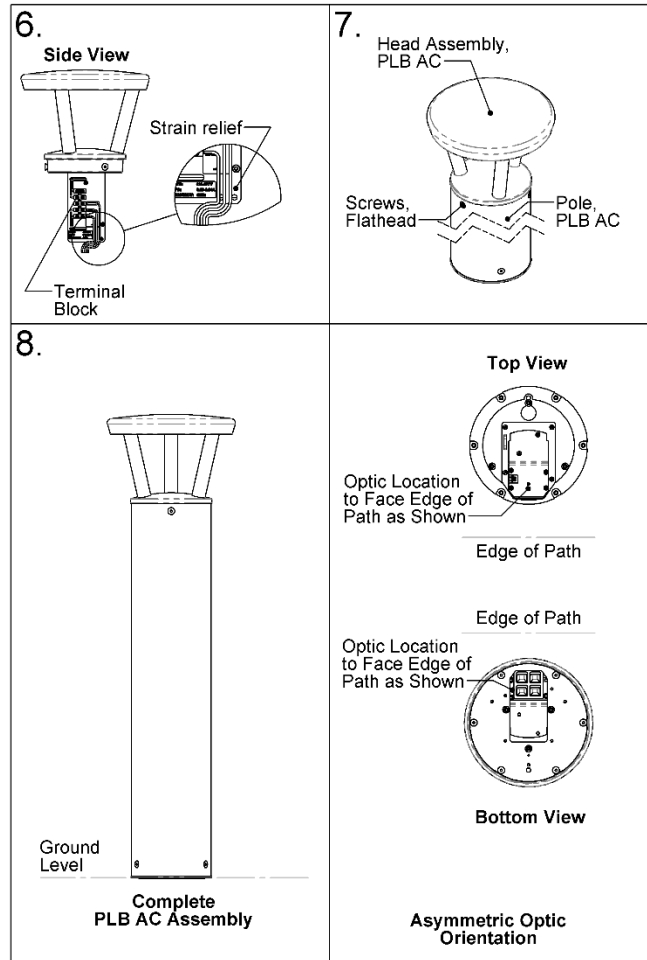
1. Install Footing with desired setback (Typically 12 to 24 inches from path). Ensure Conduit is centered with the Footing.
2. Install three supplied ½-20 X 10" Anchor Bolts in Concrete Footing using **Anchor Bolt Template** provided. Ensure bolts project a maximum of two inches above surface of concrete.
3. Remove the Base Plate from PLB AC Assembly and install onto the three supplied anchor bolts, positioning three supplied washers and supplied nuts above and three optionally below the Base Plate as shown in the diagram. Use these fasteners to attach the Base Plate, then secure in position by tightening the above, three supplied nuts until satisfied.
4. Install PLB AC Pole over the Base Plate and install three supplied ¼-20 Flathead Machine Screws loosely until each fastener is aligned to its respective Mounting Hole in the Base Plate and then tighten until satisfied.
5. Remove the PLB AC Head Assembly from the PLB AC Pole.
6. Pull wires through base plate and pole. Make wire connections to the terminal block as per the **Electrical Connections** diagram. Strain relief wires.
7. Install the PLB Head Assembly onto the Pole and secure into place with three of the supplied ¼-20 Flathead Machine Screws, and continue to tighten evenly until satisfied. For optional Asymmetrical Optics, see diagram below for correct orientation, Installation is complete (Figure - 8).



ELECTRICAL TEMPLATE:



1. Connect LINE SUPPLY LEAD to the TERMINAL BLOCK as per label.
2. Connect NEUTRAL SUPPLY LEAD to the TERMINAL BLOCK as per label.
3. Connect GROUND LEAD to the TERMINAL BLOCK as per label.
4. Make sure all screws are tightened evenly until satisfied.
5. Strain relief all wires.



ANCHOR BOLT TEMPLATE:

Dimensions are in inches - Not to Scale
 Ensure the bolts are vertical and centered on the dimensions shown

