

## IPL SERIES - SOLAR LED ARCHITECTURAL LIGHT

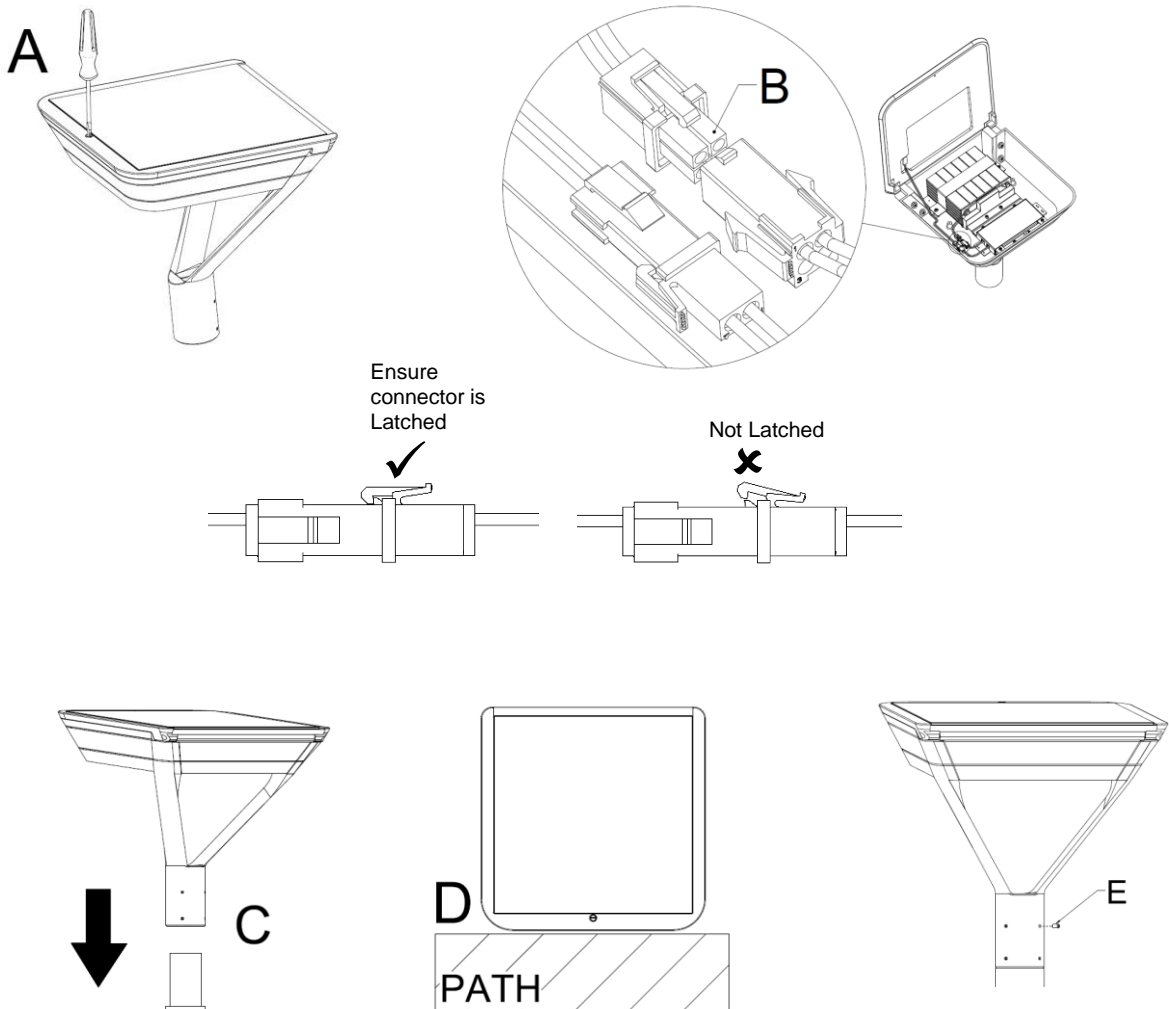
- SOLAR MODULE CONSTRUCTED OF GLASS, DO NOT PLACE DIRECTLY ONTO GROUND.
- HANDLE WITH CARE, COATING IS A LONG LASTING FINISH, HOWEVER SCRATCHES OR DAMAGE TO POWDER COAT WILL AFFECT PRODUCT APPEARANCE AND DURABILITY.
- USE CAUTION WHEN HANDLING 12V BATTERY TO AVOID SHORT CIRCUITING THE TERMINALS.

**IMPORTANT:** PLEASE READ THE FOLLOWING INSTRUCTIONS PRIOR TO INSTALLATION.

**TOOLS REQUIRED:** 1/8 INCH HEX KEY

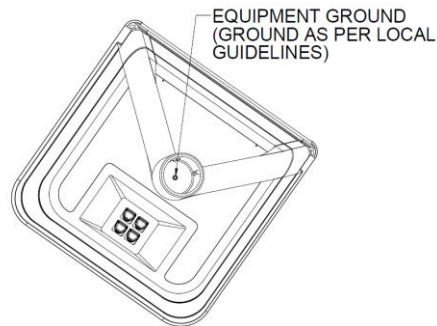
### INSTALLATION PROCEDURES:

1. Install light in an area with good sun exposure (typically 2 to 3 hours of mid day sun are required).
2. Place light onto cardboard.
3. Using 1/8 INCH hex key screwdriver, loosen fastener next to solar module **(A)**, and open lid.
4. Remove packaging material from the interior of the light.
5. Connect the battery harness as shown **(B)**, light will turn on and begin 1 minute start up sequence.  
(Note: After 1 minute, if the panel is covered, the light will turn on)
6. Close lid and tighten fastener with 1/8 INCH HEX KEY screwdriver.
7. Install light onto pole **(C)** with unobstructed sun exposure and orient to path as pictured **(D)**.
8. Tighten 4 set screws with 1/8 INCH hex key **(E)**.
9. Installation is complete.



## IPL SERIES - SOLAR LED ARCHITECTURAL LIGHT

- SOLAR MODULE CONSTRUCTED OF GLASS, DO NOT PLACE DIRECTLY ONTO GROUND.
- HANDLE WITH CARE, COATING IS A LONG LASTING FINISH, HOWEVER SCRATCHES OR DAMAGE TO POWDER COAT WILL AFFECT PRODUCT APPEARANCE AND DURABILITY.
- USE CAUTION WHEN HANDLING 12V BATTERY TO AVOID SHORT CIRCUITING THE TERMINALS.



### STORAGE

If light was stored for more than 6 months, check the battery voltage to ensure that it is between 13.2V and 13.6V. If the battery is below 13.2V, recharge with an appropriate lithium battery charger to maintain the voltage above 13.2V.

### MAINTENANCE

- If panel becomes soiled, clean with a soft damp cloth to maintain optimal performance.
- Do not use any abrasive materials or detergents.

### TROUBLESHOOTING

Light does not turn on when battery is connected:

- Check the battery harness polarity.
- If harness is connected correctly, measure battery voltage and contact customer service.

The light flashes when battery is connected:

- Battery state of charge is lower than optimal state, install and the product should charge the battery. Monitor for correct operation. If complications persist, please contact customer service.