

SOLAR LED INTEGRATED ARCHITECTURAL AREA LIGHT

Project: \_\_\_\_\_

Type: \_\_\_\_\_ Quantity: \_\_\_\_\_



The IPL series solar LED luminaire is an ideal choice for architectural, commercial, recreational bikeway/pathway and public space lighting applications. The self-contained, contemporary, curvilinear design smartly embraces modern solar power, adaptive control and LED technologies. With robust construction, and unequalled performance the IPL series is an excellent fit wherever high-quality, full cutoff lighting and minimal visual clutter is required.

Utilizing solar power and LEDs, the IPL is completely self-contained and offers significant benefits over grid-based pathway lights including:

- Low installed cost and minimal site impact with no trenching, cabling or wiring
- Minimal ongoing costs with no electrical bills or bulbs to change
- Not affected by power outages
- A sustainable choice without recurring carbon emissions

All of our solar powered lights are enabled by our innovative Solar Lighting Controller (SLC). The SLC in each light is “self-learning” and allows the lights to predictively adapt to their surroundings, providing a level of lighting performance and reliability unavailable in other solar lighting products.

**TECHNICAL SPECIFICATIONS**

- Solar Module:**
- High-efficiency mono-crystalline cells
  - Inconspicuously mounted on top of luminaire
  - Used for day/night detection (no photocell required)

- Solar Lighting Controller (SLC):**
- High-efficiency, temperature compensated Maximum Power Point Tracking (MPPT)
  - Micro-controller based technology
  - Includes high-efficiency LED driver
  - Integrated into luminaire housing
  - Designed to automatically manage lighting performance based on environmental conditions and lighting requirements
  - Patent Pending

- Battery:**
- High performance Lithium (LiFePO<sub>4</sub>)
  - Exceptional 8 – 10 year life cycle
  - High temperature tolerance
  - Contained within luminaire housing
  - Designed for easy battery changes when required

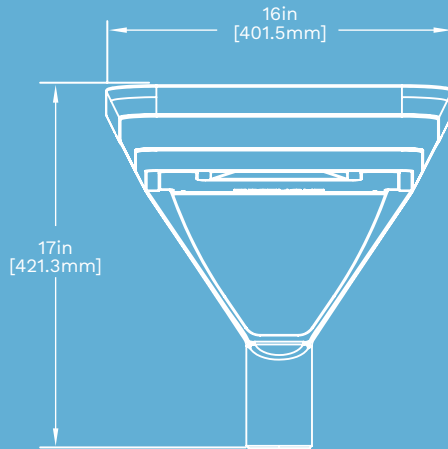
- LEDs and Optics:**
- 100,000 hour L70 lifetime
  - Warm (3000K) and neutral (4500K) white color temperatures available
  - High efficiency Type 2, 3, 4 and 5, full cut-off optics
  - Typical lumen output from 850 to 1200 lumens

- Mechanical Construction:**
- Cast, low copper aluminum top, housing, and arms
  - Stainless fasteners with security fastener option
  - Architectural grade, super durable, TGIC powder coat
  - Four standard colors with custom colors available

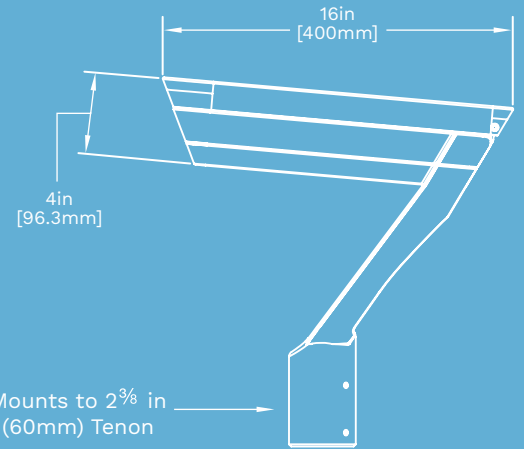
- Factory Set Lighting Profiles:**
- On at dusk, off at dawn
  - On at dusk, off after 6 hours
  - On at dusk, dim to 30% after 6 hours till dawn
  - On at dusk, off after 5 hours, on 1 hour before dawn
  - On at dusk, dim to 30% after 5 hours, on 1 hour before dawn

EPA: 0.65ft<sup>2</sup> (0.06m<sup>2</sup>)

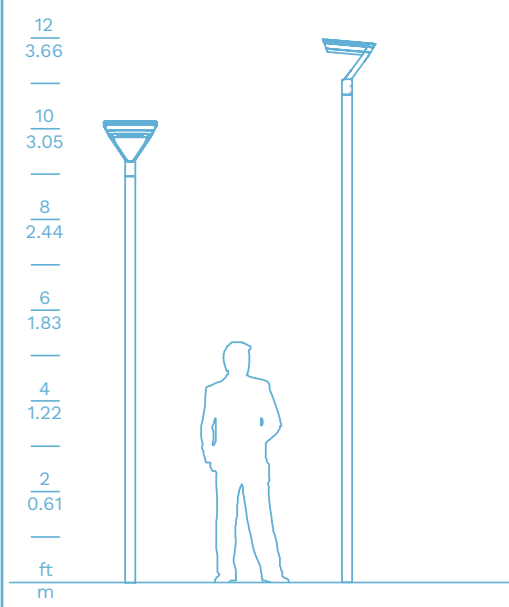
Weight: 27 lbs (12.3 kg) including battery



Front View

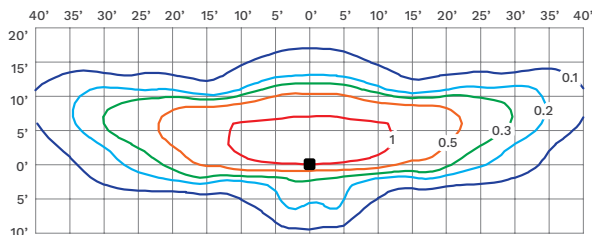


Side View

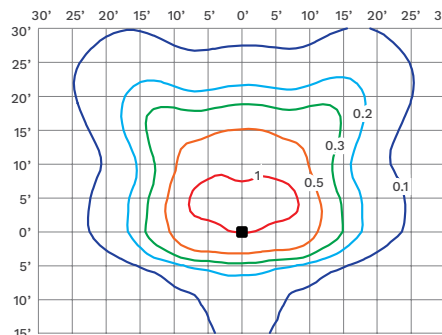


## PHOTOMETRICS (IES files available on request)

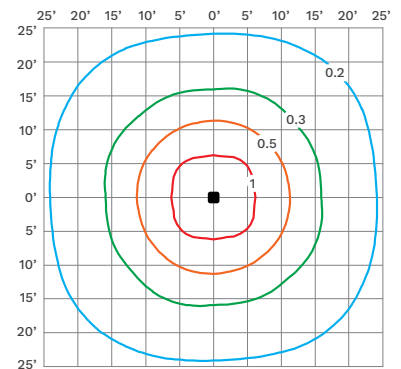
If you have any questions, please don't hesitate to call us toll free at 1-844-279-8754 (USA & Canada).



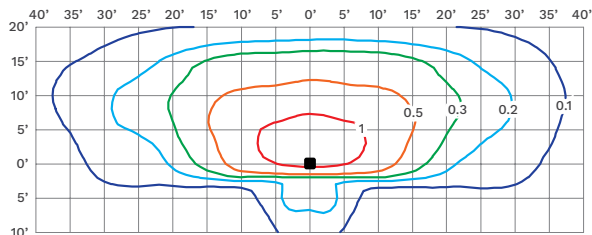
IPL - Type 2



IPL - Type 4



IPL - Type 5



IPL - Type 3

Represented by:

## ORDER MATRIX

Series	Mounting	Finish	Distribution	LED Color	Lighting Profile	Options
IPL	PTM - Post Top Mount	BK - Black	T2 - Type 2	WW - 3000K	00 - Dusk till dawn	SEC - Security Fasteners
		BZ - Bronze	T3 - Type 3	NW - 4500K	01 - Dark +6 hours then off	
		SV - Silver	T4 - Type 4		02 - Dark +6 hours then 30%	
		WH - White	T5 - Type 5		03 - Dark +5 hours, off, Dawn -1 hour	
		CC - Custom			04 - Dark +5 hours, 30%, Dawn -1 hour (DEFAULT)	

Notes: - Photometrics based on 12 ft mounting height  
 - Specifications subject to change without notice  
 - All light levels in foot candles (fc) with 4500K color temperature and 850 lumen output  
 - To convert to lux multiply light level by 10.7



**Illuminating**  
ENGINEERING SOCIETY

